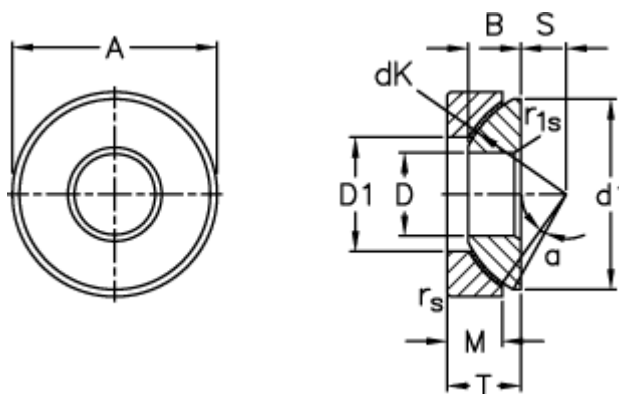


Article number: 03512070

Description: Fluro Rod end GE 70AW

Measures



A	= 160 0 -0,025	rs, r1s min	= 1
B	= 42	S	= 35
D	= 70 0 -0,015	Static axial load C0 (kN)	= 3200
d1 max	= 153	T	= 50 +0,25 -0,50
D1 min	= 94.5	Tilt angle	= 3
dK	= 176	Weight	= 5370
Dynamic axial load C (kN)	= 1600		
M	= 36.5		